

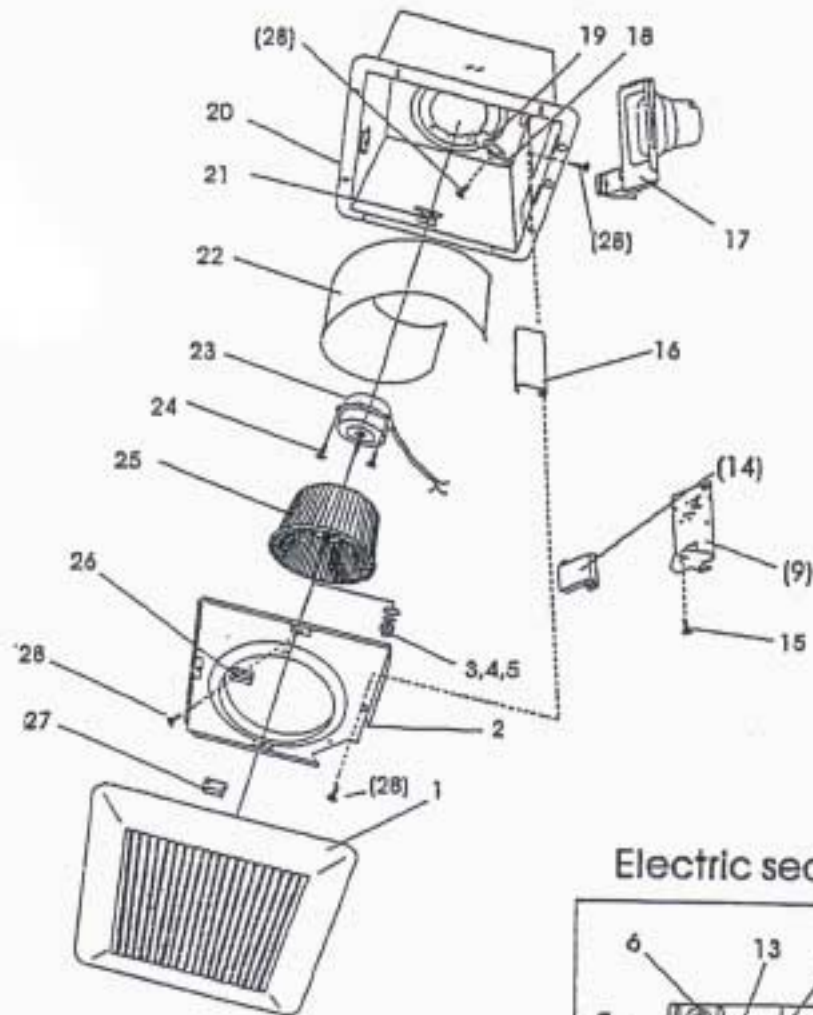
PARTS LIST

WhisperCeiling
FV-30VQ3

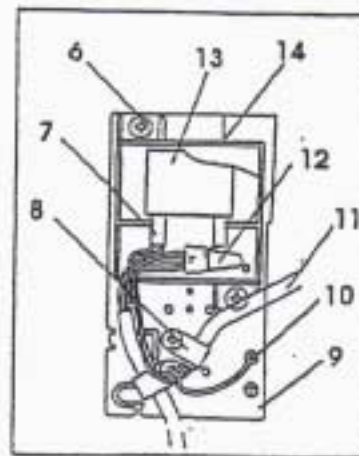
REF. NO.	PART NO.	PART NAME	Q'TY/SET	REMARKS
1	FFV3400027S	Louver assy	1	
2	FFV4300066S	Orifice	1	
3	XNA8F	Nut	1	
4	XWA8B	Spring Washer	1	
5	XWG8EBN	P-R Washer	1	
6	XTT4+6C	Truss Tap Screw	4	
7	FFV2240001S	Heat Shrink Tube	2	
8	NK-4N	Cord Clip 4N	2	
9	FFV5530004S	Set Plate	1	
10	XYN4DF10BN	Screw	1	
11	FFV0730017S	Cord	1	
12	FFV0900001H	Connector	2	
13	FFV0750048S	Condenser	1	
14	FFV0760024S	Condenser Box	1	
15	SECIAAM0412	Screw	1	
16	FFV0940002S	Cut Off	1	
17	FFV0000011S	Adapter Assy	1	
18	OOCBG0503	Cord Bushing	1	
19	FFV3450001S	Lead Wire Protect Plate	1	
20	FFV1600031S	Frame Assy	1	
21	FFV5530003S	Set Plate	3	
22	FFV0790010S	Casing	1	
23	FFV3700109S	Motor Assy	1	
24	XTN5+10C	Pan Tap Screw	4	
25	FFV0400053S	Blade assy	1	
26	FFV5530001S	Set Plate 1	1	
27	FFV5530002S	Set Plate 2	1	
28	XTN5+8C	Screw	6	
29	FFV5210001S	Rubber Washer 1	4	
30	FFV5210002S	Rubber Washer 2	4	
31	FFV2230002S	Hanger	4	
32	FFV5210003S	Rubber Plate	4	
33	FFV0010031S	Accessory Set	1	

PARTS IDENTIFICATION

WhisperCeiling
FV-30VQ3



Electric section



Hanger ASS

